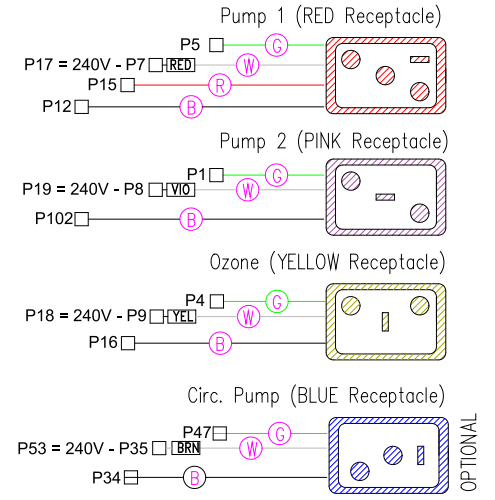
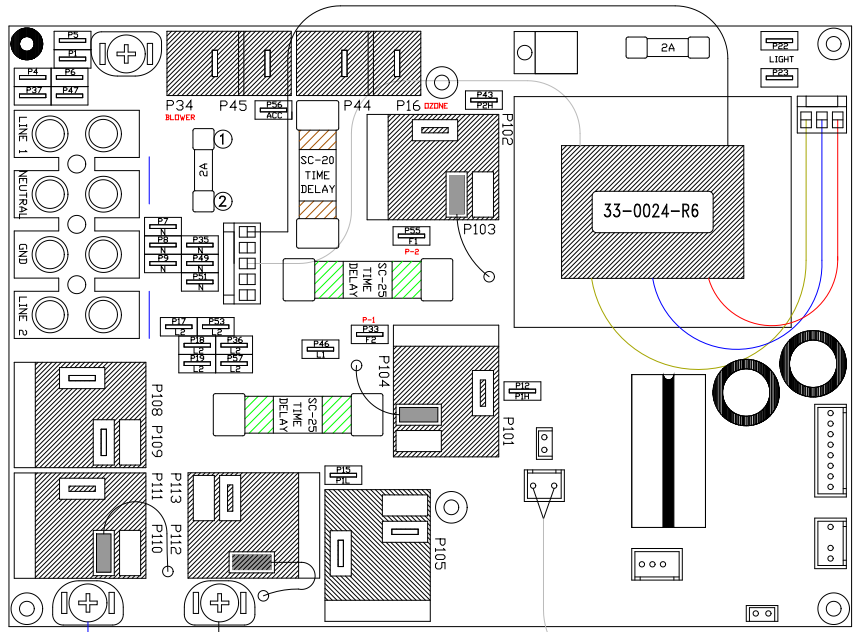
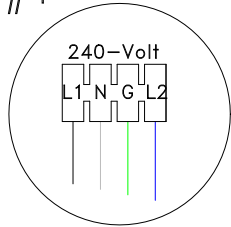
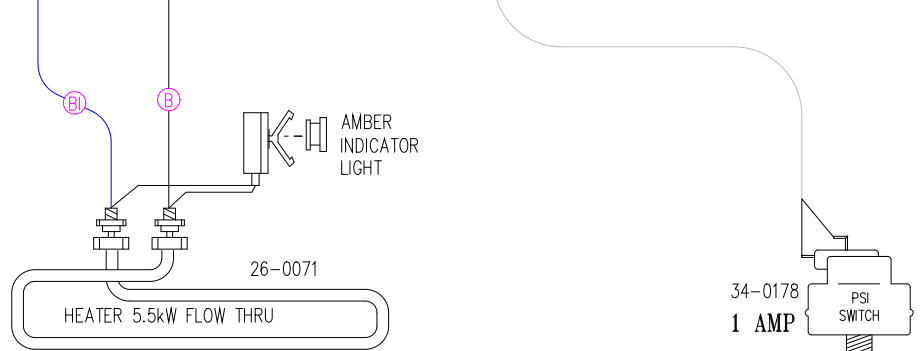


#1



OPTIONAL



| LEGEND | |
|--------|--------------------------------|
| □ | - 1/4" QUICK CONNECT |
| ▤ | - 1/4" QUICK CONNECT PIGGYBACK |
| ⊞ | - FORK CONNECTOR |
| ○ | - RING CONNECTOR |
| □ | - SOCKET CONNECTOR |
| △ | - PIN CONNECTOR |

HYDRO-QUIP
CORONA, CA (951) 273-7575

Manufacture Notes:

#1 Line 2 and Neutral need to be jumpered for 120V operation.

| | |
|-------------|----------|
| Drawn | Rev |
| GC | 16 |
| Date | 06.15.10 |
| Diagram No. | 6801 |

| Wire Color Code | |
|-----------------|------------|
| B - Black | G - Green |
| Br - Brown | Bl - Blue |
| R - Red | V - Violet |
| O - Orange | W - White |
| Y - Yellow | Gr - Gray |